



EK Series Center Clamping Injection Molding Machines

MODEL: BL200EK/C840

INJECTION UNIT:	Measure Unit	Models		
DESCRIPTION:	UNIT	BL200EK/C840		
		A	B	C
Screw Diameter:	in	1.772	1.969	2.165
	mm	45	50	55
Screw Ratio:		22.5	20	18
Theoretical Injection Capacity	cu in	24.26	29.96	36.25
	cm ³	398	491	594
Shot Weight (PS)	g	366	491	546
	oz	12.9	15.9	19.3
Injection Rate Into Air	cu in/s	10.2	12.6	15.3
	cm ³ /s	167	207	250
Injection Pressure	psi	30606	24804	20453
	MPa	211	171	141
Plasticizing Rate	g/s	25	35	45
Injection Stroke	in	9.84		
	mm	250		
Max. Injection Speed	in/s	4.13		
	mm/s	105		
Max. Screw Speed	r/min	220		

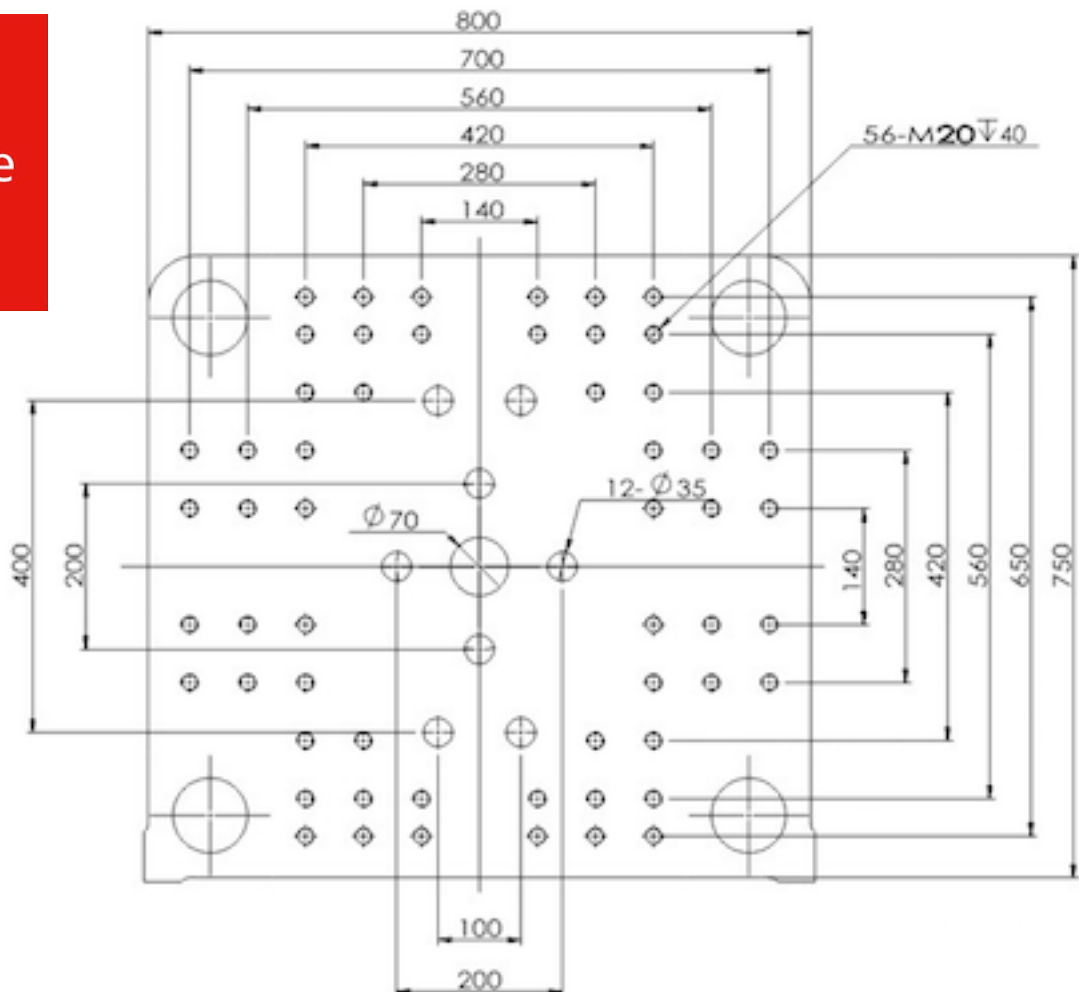
CLAMPING UNIT:	Measure Unit	Model
Clamping Force	US ton	225
	kN	2000
Opening Stroke	in	21
	mm	530
Space Between Tie Bar	in x in	22.05 x 20.07
	mm x mm	560 x 510
Platen Size	in x in	31.5 x 29.53
	mm x mm	800 x 750
Min. Mold Height	in	8.6
	mm	220 (175)
Max. Mold Height	in	22.05
	mm	560 (515)
Max. Distance Platen	in	42.91
	mm	1090 (1045)
Ejector Stroke	in	5.9055
	mm	150
Ejector Force Forward	US Ton	7
	kN	62
Ejector Force Back	US Ton	4
	kN	36
Number of Ejector Bar(s)	PC	9

EK Series Center Clamping Injection Molding Machines

MODEL: BL200EK/C840

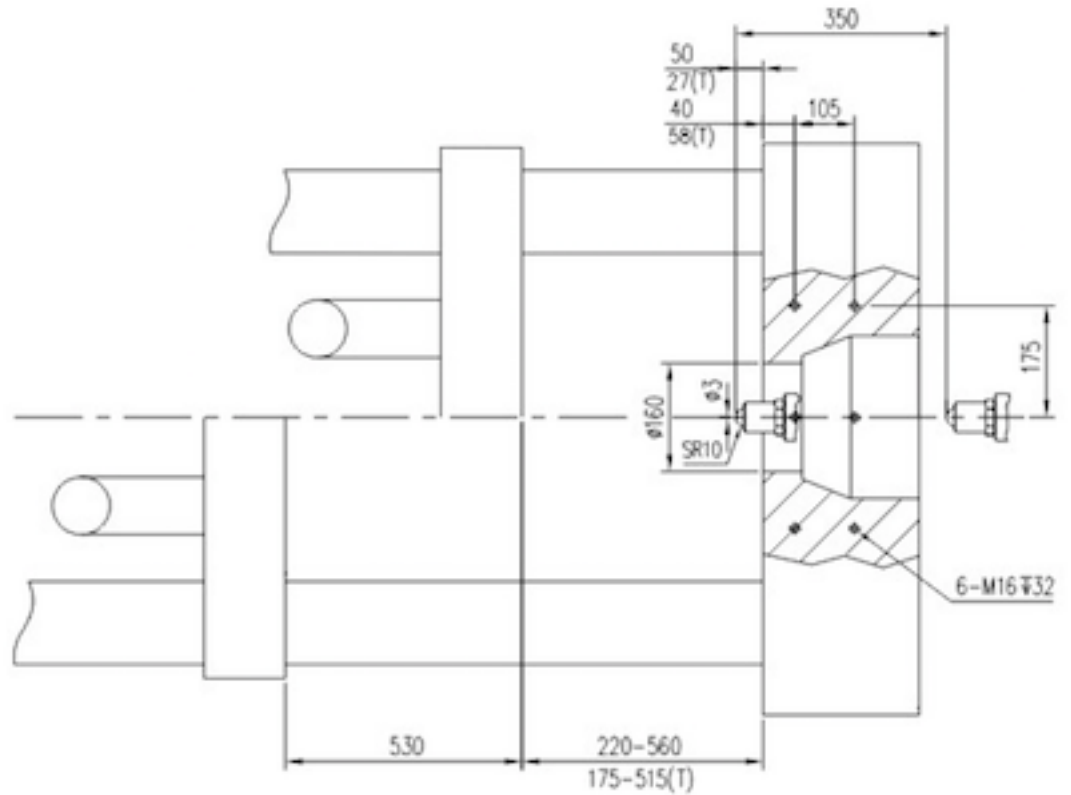
Other Machine Information:	Measure Unit	Model
System Pressure	PSI	2320
	MPa	16
Pump Motor	hp	33.51
	kW	25
Heater Power	kW	13.25
Number of Temp. Control Zones		4+1
Hoper Capacity	Lbs	110.25
	kg	50
Oil Tank Capacity	US gal	74
	L	280
Machine Dimensions (LxWxH)	ft x ft x ft	18.05 x 4.75 x 7.05
	m x m x m	5.5 x 1.45 x 2.15
Machine Weight	Lbs	12000
	Ton	6

Platen Size



EK Series Center Clamping Injection Molding Machines
 MODEL: BL200EK/C840

Platen
 Side Size



T Slot Platen
 Dimension Obverse
 Drawing(Optional)

