



EK Series Center Clamping Injection Molding Machines
MODEL: BL260EK/C1400

INJECTION UNIT:	Measure Unit	Model		
DESCRIPTION:	UNIT	BL260EK/C1400		
		A	B	C
Screw Diameter:	in	2.165	2.362	2.559
	mm	55	60	65
Screw Ratio:		23	21	19.5
Theoretical Injection Capacity	cu in	42.04	50.04	58.72
	cm ³	689	820	962
Shot Weight (PS)	g	634	754	885
	oz	22.4	26.6	31.2
Injection Rate Into Air	cu in/s	13.7	16.3	19.1
	cm ³ /s	224	267	313
Injection Pressure	psi	29011	24369	20743
	MPa	200	168	143
Plasticizing Rate	g/s	43	55	68
Injection Stroke	in	11.42		
	mm	290		
Max. Injection Speed	in/s	3.7		
	mm/s	94		
Max. Screw Speed	r/min	210		

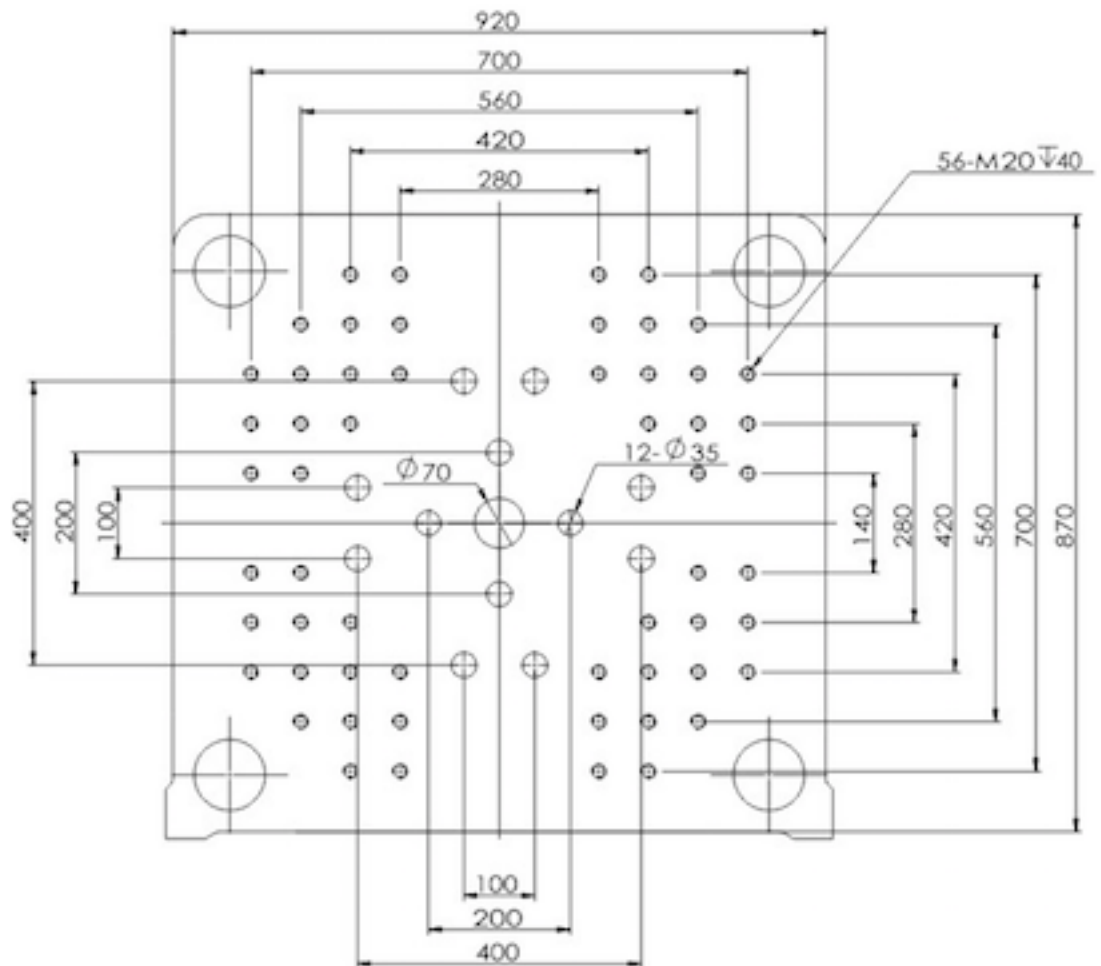
CLAMPING UNIT:	Measure Unit	Model
Clamping Force	US ton	292
	kN	2600
Opening Stroke	in	23
	mm	580
Space Between Tie Bar	in x in	26 x 24
	mm x mm	660 x 610
Platen Size	in x in	36.22 x 34.25
	mm x mm	920 x 870
Min. Mold Height	in	9.45
	mm	240 (195)
Max. Mold Height	in	25.2
	mm	610 (565)
Max. Distance Platen	in	46.85
	mm	1090 (1045)
Ejector Stroke	in	7
	mm	180
Ejector Force Forward	US Ton	7
	kN	62
Ejector Force Back	US Ton	4
	kN	36
Number of Ejector Bar(s)	PC	13

EK Series Center Clamping Injection Molding Machines

MODEL: BL260EK/C1400

Other Machine Information:	Measure Unit	Model
System Pressure	PSI	2320
	MPa	16
Pump Motor	hp	40.21
	kW	30
Heater Power		
	kW	18.9
Number of Temp. Control Zones		4+1
Hoper Capacity	Lbs	110.25
	kg	50
Oil Tank Capacity	US gal	92
	L	350
Machine Dimensions (LxWxH)	ft x ft x ft	20.01 x 4.85 x 7.21
	m x m x m	6.1 x 1.48 x 2.2
Machine Weight	Lbs	16000
	Ton	8

Platen Size



EK Series Center Clamping Injection Molding Machines
MODEL: BL260EK/C1400

T Slot Platen
Dimension Obverse
Drawing(Optional)

