



EK Series Center Clamping Injection Molding Machines
MODEL: BL320EK/C1800

INJECTION UNIT:	Measure Unit	Model		
DESCRIPTION:	UNIT	BL320EK/C1800		
		A	B	C
Screw Diameter:	in	2.362	2.559	2.756
	mm	60	65	70
Screw Ratio:		23	21	19.5
Theoretical Injection Capacity	cu in	55.21	64.8	75.15
	cm ³	905	1062	1232
Shot Weight (PS)	g	832	977	11333
	oz	29.4	34.5	40
Injection Rate Into Air	cu in/s	17.2	20.2	23.4
	cm ³ /s	282	331	384
Injection Pressure	psi	29011	24659	21178
	MPa	200	170	146
Plasticizing Rate	g/s	45	56	73
Injection Stroke	in	12.6		
	mm	320		
Max. Injection Speed	in/s	3.94		
	mm/s	100		
Max. Screw Speed	r/min	175		

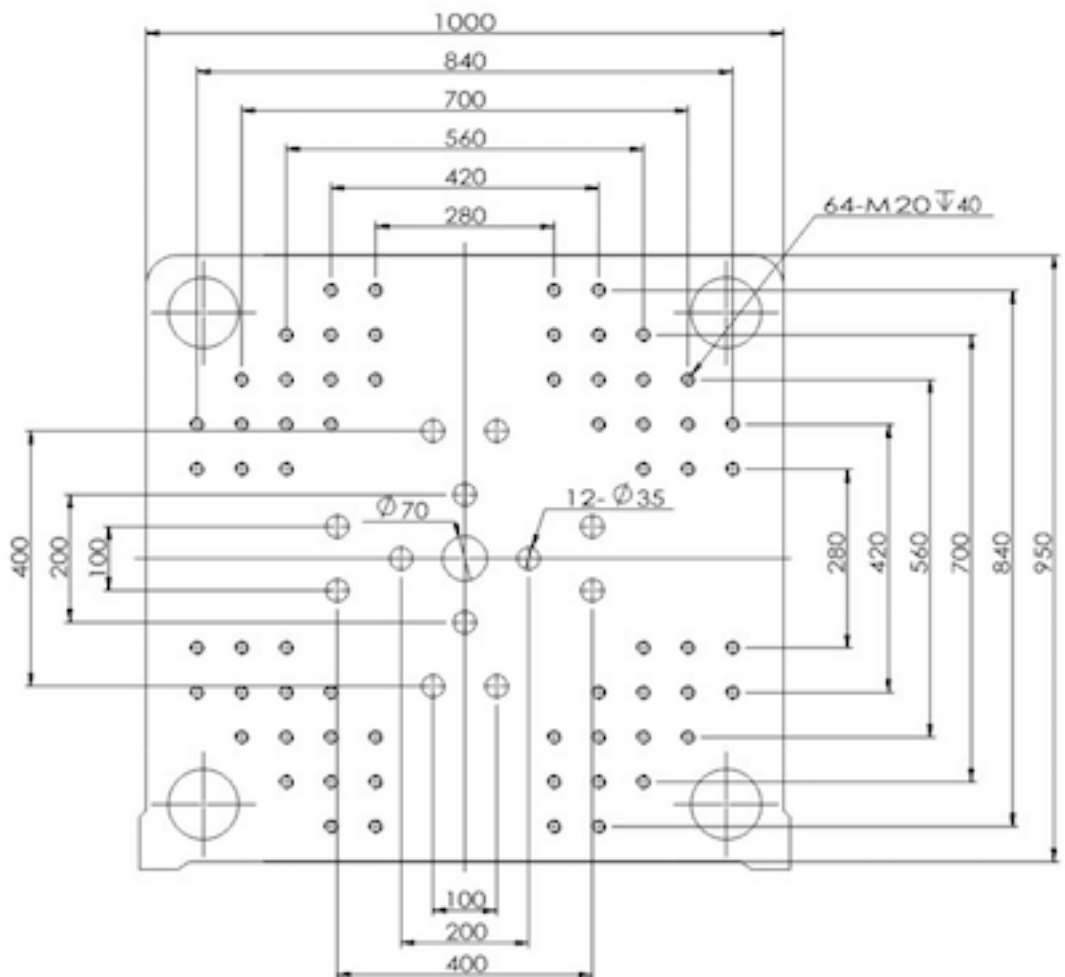
CLAMPING UNIT:	Measure Unit	Model
Clamping Force	US ton	360
	kN	3200
Opening Stroke	in	26
	mm	660
Space Between Tie Bar	in x in	27.95 x 26
	mm x mm	710 x 660
Platen Size	in x in	39.37 x 37.40
	mm x mm	1000 x 950
Min. Mold Height	in	10.63
	mm	270 (225)
Max. Mold Height	in	27.16
	mm	690 (645)
Max. Distance Platen	in	53.15
	mm	1350 (1305)
Ejector Stroke	in	7.0866
	mm	180
Ejector Force Forward	US Ton	7
	kN	62
Ejector Force Back	US Ton	4
	kN	36
Number of Ejector Bar(s)	PC	13

EK Series Center Clamping Injection Molding Machines

MODEL: BL320EK/C1800

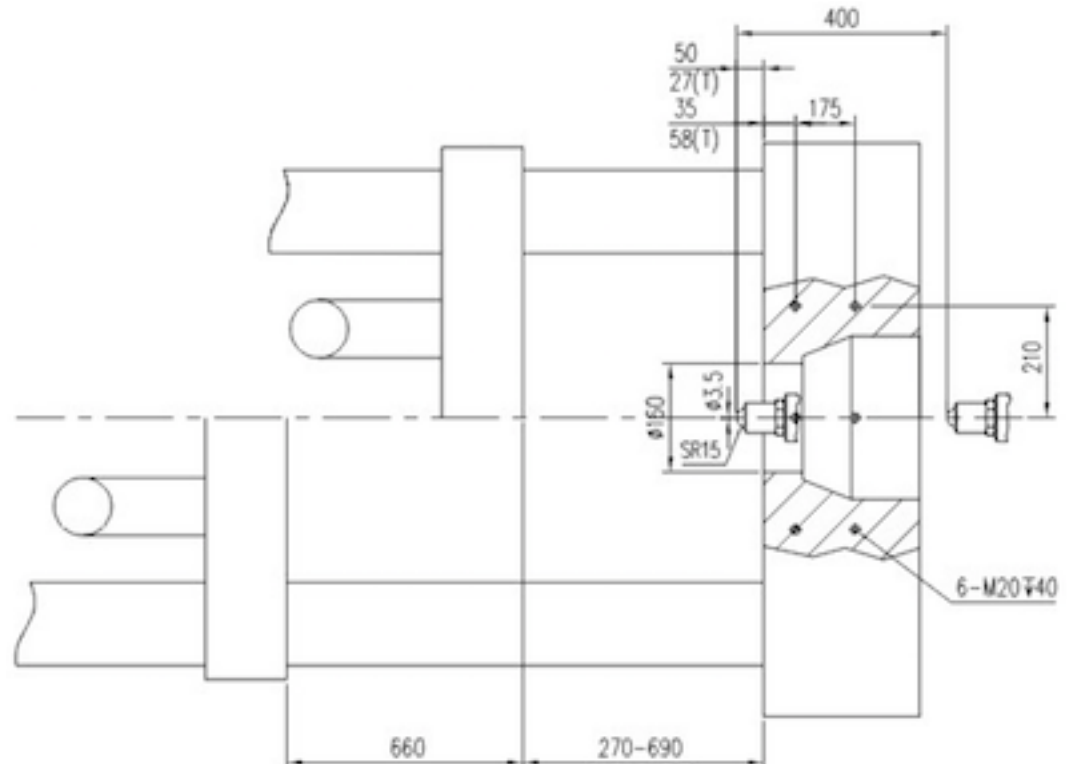
Other Machine Information:	Measure Unit	Model
System Pressure	PSI	2320
	MPa	16
Pump Motor	hp	49.59
	kW	37
Heater Power		
	kW	24.1
Number of Temp. Control Zones		4+1
Hoper Capacity	Lbs	110.25
	kg	50
Oil Tank Capacity	US gal	127
	L	480
Machine Dimensions (LxWxH)	ft x ft x ft	22.15 x 5.52 x 7.38
	m x m x m	6.75 x 1.68 x 2.25
Machine Weight	Lbs	21600
	Ton	10.8

Platen Size



EK Series Center Clamping Injection Molding Machines
 MODEL: BL320EK/C1800

Platen
 Side Size



T Slot Platen
 Dimension Obverse
 Drawing(Optional)

